

Model CLSM-300

Closed Loop Hall Effect

Description

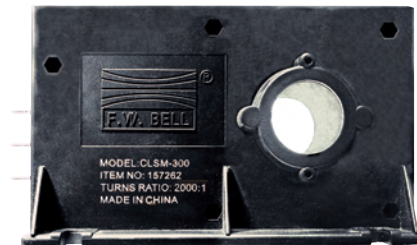
The Model CLSM-300 is a closed loop Hall effect current sensor that accurately measures DC and AC currents and provides electrical isolation between the current carrying conductor and the output of the sensor.

Features

- Noncontact measurement of high current
- Measures DC, AC and impulse currents
- Current sensing up to 450A peak
- Very fast response and high accuracy
- High overload capacity

Applications

- Variable speed drives for motors
- Welding Equipment
- Power supply Equipment
- Measure and control system
- Over current protection
- Protection of power semiconductors



Electrical Specifications

CLSM-300

Nominal current (I _N)	±300 A
Current range	0 to ±400 A
Nominal output current (I _M)	150 mA
Turns Ratio	2000 / 1
Measuring Resistance (R _M)	0 to 20 Ω
Overall accuracy at 25°C	±0.5 % of I _N
Supply voltage (V _{dc}).....	±15 to ±18
Current consumption	15 mA + output current

Accuracy-Dynamic Performance

Zero current offset at 25°C	< ±0.2mA
Offset current temperature drift (-25°C to +85°C)	< ±0.3mA
Linearity	better than ±0.1%
Response time	better than 1μs
di / dt	better than 500A/μs
Frequency range	DC to 150KHz (-3dB)

General Information

Operating temperature.....	-25°C to +85°C
Storage temperature	-40°C to +100°C
Package	flame retardant plastic case, UL94V-0
Isolation voltage	5kV/50Hz/1 min.
Output reference.....	To obtain a positive output on terminal M, input current must flow in the direction of the arrow (conventional flow)
Weight	223 grams
Mounting	Panel mount via 4 holes, 5mm dia.
Aperture size787" (20 mm) diameter
Output connection	3 Faston Terminals

Notes:

1. Busbar temperature should not exceed 100°C.
2. The dynamic performance is the best when the busbar fills the aperture.

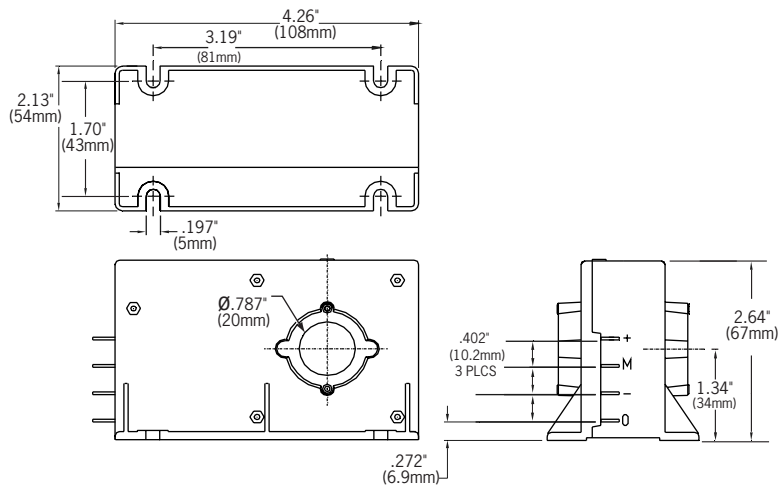


Mechanical Dimensions

All dimensions are in inches (millimeters)

Model CLSM-300

Mechanical Dimensions



Connection Schematic

